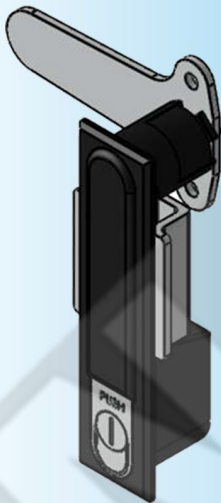


For Product Step File or 3D Model Send a Request Mail To info@nrack.com

Photo View

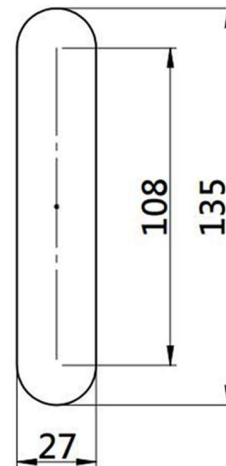
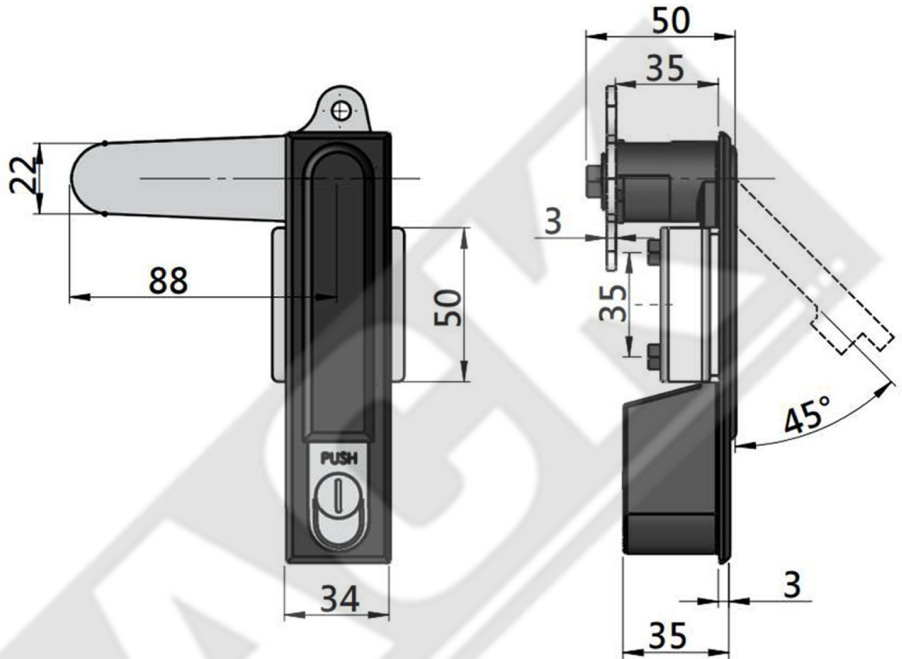


3D Rendered View



MS 480-2-1

- Material: Zinc Die Casting-Body & Shaft, Zinc Plating-Cam
- Finish: Chrome Plating/Black Powder



PANEL CUT OUT